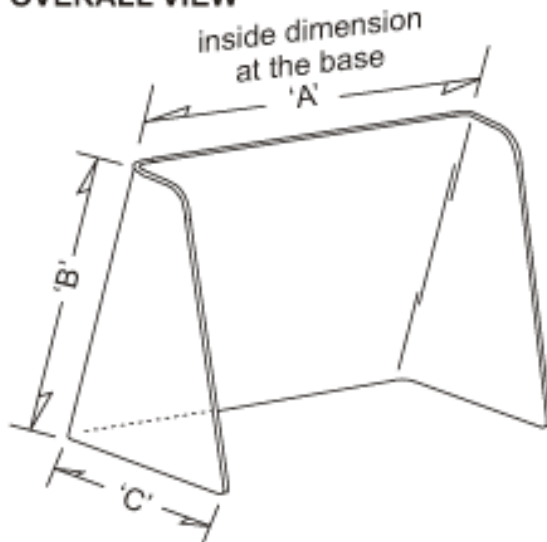


SPEC SHEET

CUSTOM BOAT WINDSHIELD - order form

OVERALL VIEW



SLOPE ANGLE

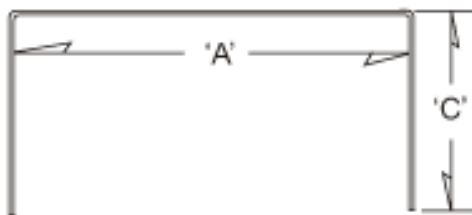


Slope angle

Standard 20 degrees

Custom _____ degrees

TOP VIEW



Required Dimensions

'A' _____

'B' _____

'C' _____

Material

Acrylic (Plexiglas)	Thickness
Clear <input type="checkbox"/>	3/16" <input type="checkbox"/>
Bronze tint	1/4" <input type="checkbox"/>
<input type="checkbox"/> light	
<input type="checkbox"/> medium	
<input type="checkbox"/> dark	

SureCraft Plastics Ltd., industrial & commercial plastics services
design - fabrication - repair - sales (sheet/tube/rod)
cutting - bonding - machining - thermoforming - welding
your ideas into plastic . . . let's talk

telephone 1-800-376-2194
fax 1-807-473-8483

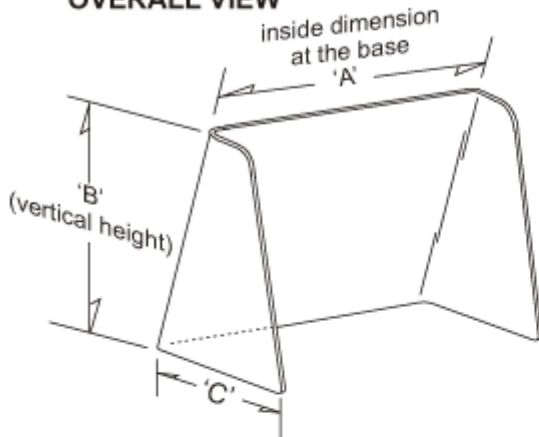
SureCraft Plastics Ltd.

designers and fabricators
with today's engineered plastics

SPEC SHEET

CUSTOM BOAT WINDSHIELD - order form

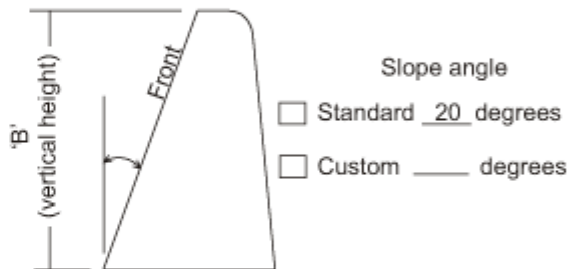
OVERALL VIEW



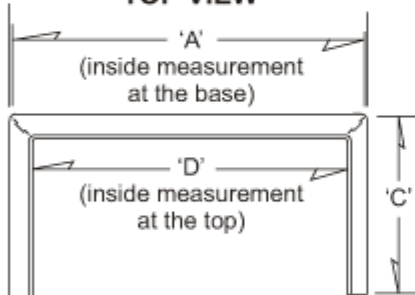
Material

- | | |
|---------------------------------|--------------------------------|
| Acrylic (Plexiglas) | Thickness |
| Clear <input type="checkbox"/> | 3/16" <input type="checkbox"/> |
| Bronze tint | 1/4" <input type="checkbox"/> |
| <input type="checkbox"/> light | |
| <input type="checkbox"/> medium | |
| <input type="checkbox"/> dark | |

SLOPE ANGLE



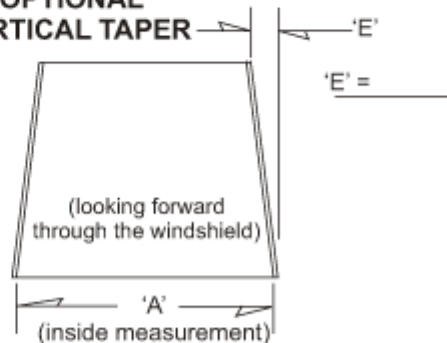
TOP VIEW



Required Dimensions

'A' = _____
'B' = _____
'C' = _____
'D' = _____

OPTIONAL VERTICAL TAPER



SureCraft Plastics Ltd., industrial & commercial plastics services
design - fabrication - repair - sales (sheet/tube/rod)
cutting - bonding - machining - thermoforming - welding
your ideas into plastic . . . let's talk telephone 1-800-376-2194
fax 1-807-473-8483