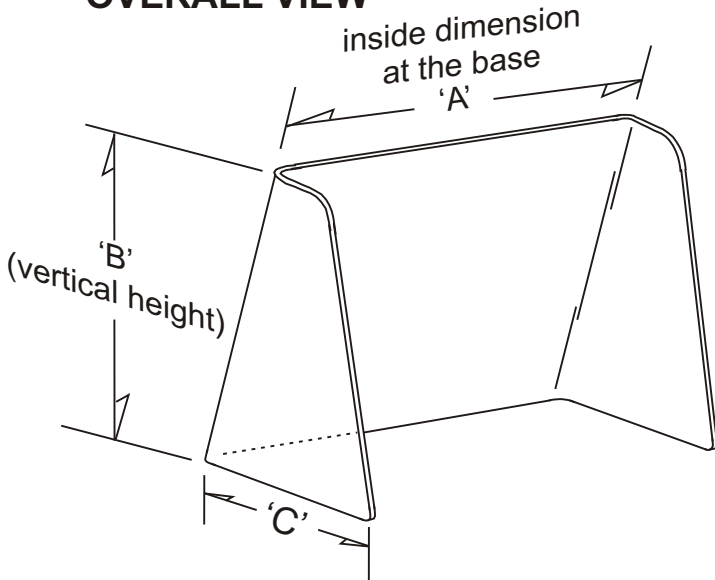


## SPEC SHEET

### CUSTOM BOAT WINDSHIELD - order form

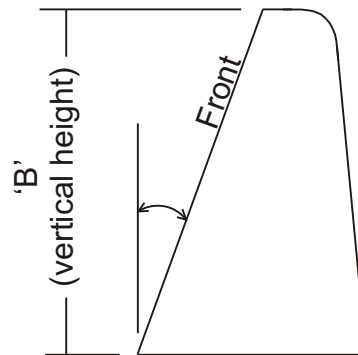
#### OVERALL VIEW



#### Material

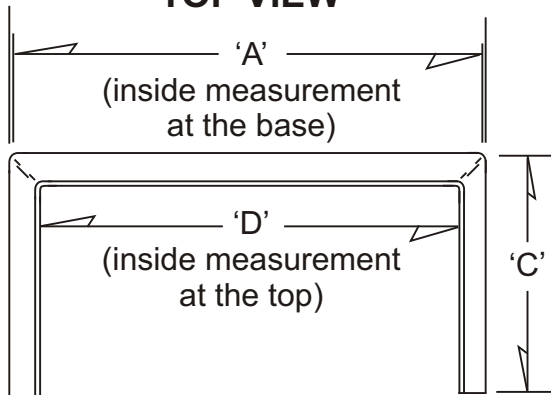
- Acrylic (Plexiglas)
- Clear  Thickness 3/16"
- Bronze tint 1/4"
- light
- medium
- dark

#### SLOPE ANGLE



- Slope angle
- Standard 20 degrees
- Custom \_\_\_\_\_ degrees

#### TOP VIEW



#### Required Dimensions

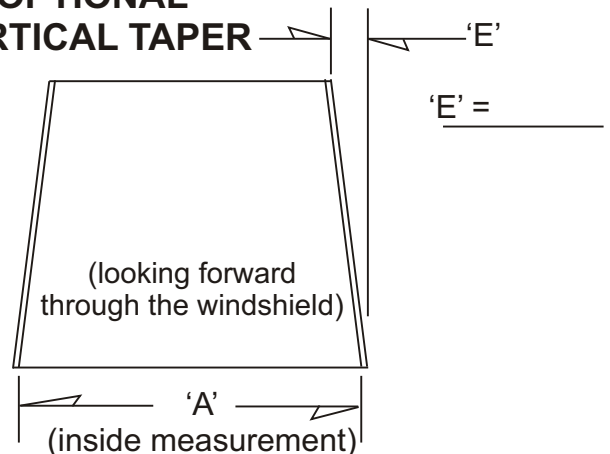
'A' = \_\_\_\_\_

'B' = \_\_\_\_\_

'C' = \_\_\_\_\_

'D' = \_\_\_\_\_

#### OPTIONAL VERTICAL TAPER



**SureCraft Plastics Ltd.,** industrial & commercial plastics services  
design - fabrication - repair - sales (sheet/tube/rod)  
cutting - bonding - machining - thermoforming - welding  
*your ideas into plastic . . . let's talk*

telephone 1-800-376-2194  
fax 1-807-473-8483